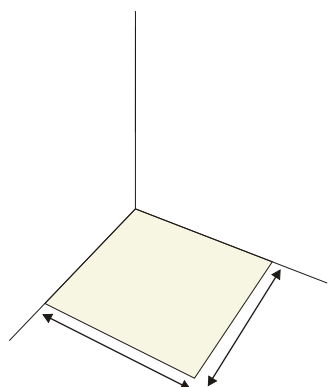
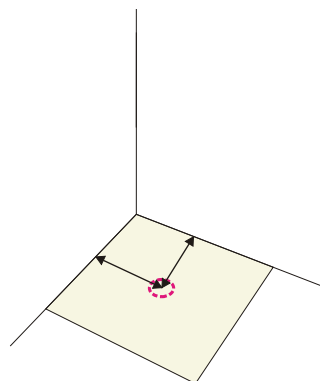


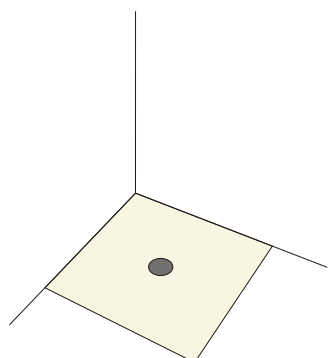
10-step Installation instruction for shower base with point drainage



1. Measuring out shower area



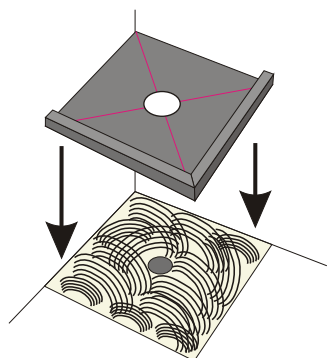
2. Marking spot for drain hole



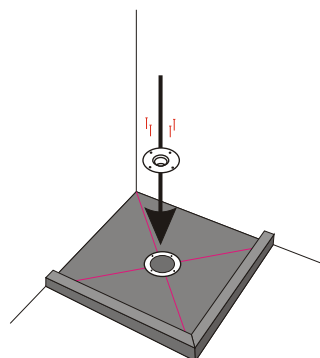
3. Cutting hole for Leak Control Flange



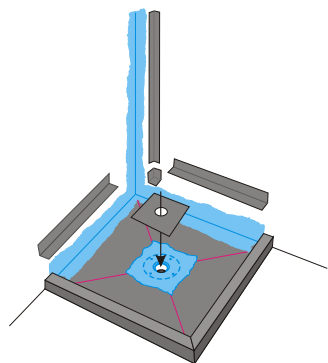
4. Applying solvent-free adhesive onto floor to fix shower base down



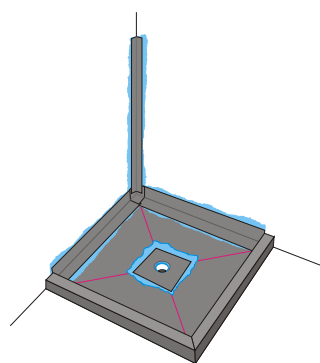
5. Setting shower base into bed of adhesive.



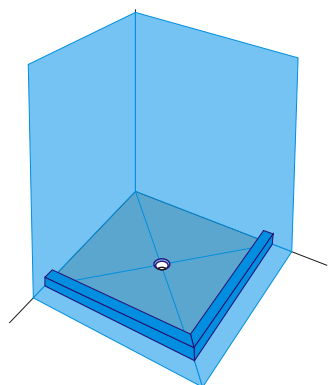
6. Inserting Leak Control Flange and securing it with counter-sink screws



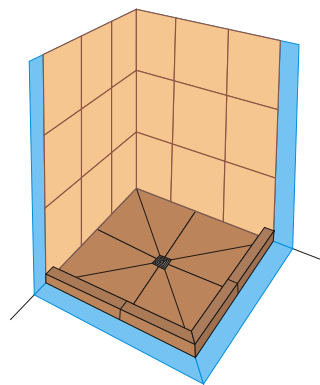
7. Applying waterproofing compound into all wall corners and around Leak Control Flange



8. Embedding sealing tape into fresh waterproofing



9. Applying waterproofing compound all over the shower area and a bit beyond



10. Installing wall & floor tiles according to tiling code and inserting waste grate